



## Filter-Regulator-Lubricator

**FILTER ~ PRESSURE  
REGULATORS LUBRICATOR  
FOR COMPRESSED AIR APPLICATIONS**

# AIR FILTER/ REGULATOR

PB20 (G<sup>1</sup>/<sub>4</sub>, G<sup>3</sup>/<sub>8</sub>, G<sup>1</sup>/<sub>2</sub>)

## FEATURES

PNEUMSYS Series Intermediate Range Filter/ Regulator combination unit is an efficient space saving design for general applications in compressed air systems where effective contamination filtration, liquid water removal and controlled pressure is required.



PARAMETERS	SPECIFICATIONS	
Pipe Threads	G 1/4, 3/8, 1/2 Parallel Taper (F)	- Standard
	BSPT <sub>r</sub> / NPT	- Optional
Body Material	Al. Alloy die-cast	
Filter Element Size	5, 25, 40 micron.	
Filter Element Material	Plastic (Polypropylene)	- Standard
	Sintered Bronze	- Optional
Filter Bowl Material	Transparent Polycarbonate	- Standard
	Al. Alloy Metal	- Optional
Maximum intel Pressure	with PC Bowl(Manual/Auto/Semi-auto drain)	: 150 psig (10.5 bar)
	with Metal Bowl (Manual drain)	: 250 psig (17.5 bar)
	with Metal bowl (Auto / Semi-auto drain)	: 150 psig (10.5 bar)
Maximum Operating Temperature (ambient)	with PC Bowl	: 50° C
	with Metal Bowl	: 80° C
Standard Nominal Flow Rate at 10 bar (150 PSI) Inlet pressure 6 bar (87 PSI) set pressure and a drop of 1 bar (14.5 PSI) from set	1/4	104 scfm (50 dm <sup>3</sup> /sec) CV(1.96)
	3/8	177 scfm (84 dm <sup>3</sup> /sec) CV(3.35)
	1/2	272 scfm (130 dm <sup>3</sup> /sec) CV(5.14)
Drain	Manual	- Standard
	Automatic (upto 10.5 bar only)	- Optional
Regulator Type	Relieving	- Standard
	Non - Relieving	- Optional
Pressure Adjustment	Non-rising plastic knob	- Standard
	Metal "T" Handle /Hex Headed	- Optional
Regulated secondary outlet Pressure (spring range) and recommended Pressure gauge range available (in bar)	Spring Range	Gauge Range
	6 - 60 psi (0.40 to 4.0 bar)	0 - 60 psi (0 to 7 bar)
	12 - 125 psi (0.87 to 8.75 bar)	0 - 150 psi (0 to 10 bar)
	15 - 150 psi (1.0 to 10.0 bar)	0 - 220 psi (0 to 16 bar)
	3 - 30 psi (0.21 to 2.1 bar)	0 - 60 psi (0 to 4 bar)
25 - 250 psi (1.75 to 17.5 bar)	0 - 290 psi (0 to 20 bar)	
Gauge size	40 mm dial size	
Gauge Port size	Rc 1/8	
Gauge connection	Back	
Mounting Bracket	Optional	
Panel Mounting	Standard - Available	

# AIR FILTER/ REGULATOR

PB20 (G<sup>1</sup>/<sub>4</sub>, G<sup>3</sup>/<sub>8</sub>, G<sup>1</sup>/<sub>2</sub>)

Size	Flow (scfm)	Element (um)	Drain	Bowl	Range (psi)	Operation	Model
G 1/4	104 scfm (50 dm <sup>3</sup> /sec)	40	Auto Manual	Transparent	12 - 125 psi	Relieving	SB20K-2G-A2P/RNLN SB20K-2G-M2P/RNLN
G 3/8	177 scfm (84 dm <sup>3</sup> /sec)	40	Auto Manual	Transparent	12 - 125 psi	Relieving	SB20K-3G-A2P/RNLN SB20K-3G-M2P/RNLN
G 1/2	272 scfm (130 dm <sup>3</sup> /sec)	40	Auto Manual	Transparent	12 - 125 psi	Relieving	SB20K-4G-A2P/RNLN SB20K-4G-M2P/RNLN

## Option Selector

Sample Model Number → **P B 2 0 K - 2 B - M 2 P / R G M N**

Position → **0 1 2 3 4 - 5 6 - 7 8 9 / 10 11 12 13 14**

**0** Position

**1** Product

**2 3** Series

**4** Type

- K = Knob Type (Nitrile Elastomers)
- [E] = Knob Type (EPDM Elastomers)
- [V] = Knob Type (Viton Elastomers)
- [Z] = Knob Type (Low temp. Nitrile elastomers)
- [T] = T Handle Type (Nitrile Elastomers)
- [F] = T Handle Type (EPDM Elastomers)
- [W] = T Handle Type (Viton Elastomers)
- [L] = T Handle Type (Low temp. Nitrile elastomers)
- [H] = Hex headed type (Low temp. Nitrile elastomers)
- [Q] = Hex headed type (EPDM elastomers)
- [U] = Hex headed type (Viton elastomer)
- [V] = Hex headed type (Nitrile elastomers)

**5** Size

**6** Port Thread

	Main Port	Gauge Port
A	NPT	BSPT
B	BSPT	BSPT
G	BSP	BSPT
N	NPT	NPT

**7** Drain

- M = Manual
- A = Automatic (avbl. with Nitrile elastomer only)
- S = Semi-Auto (avbl. with Nitrile elastomer only)

**8** Filter Element

- 1 = 05 M Porous Plastic
- 2 = 25 M Porous Plastic
- 3 = 40 M Porous Plastic
- 6 = 05 M Sintered Bronze
- 7 = 25 M Sintered Bronze
- 8 = 40 M Sintered Bronze

**9** Bowl

- P = P. C. Bowl with Guard
- D = Metal Bowl with Sight Glass
- [M] = Metal bowl without sight glass

**10** Relief

- R = Relieving
- N = Non - Reliving

**11** Gauge

- N = No Pr. Gauge
- G = With Pr. Gauge (without any cert.)

**12** Sec. Pr. Ange

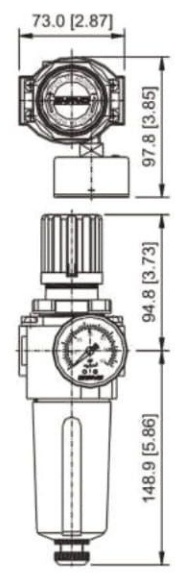
- C = 3 - 30 psi (0.21 - 2.1 bar)
- F = 6 - 60 psi (0.4 - 4 bar)
- L = 12 - 125 psi (0.87 - 8.75 bar)
- M = 15 - 150 psi (1.0 - 10.0 bar)
- [S] = 25 - 250 psi (1.70 - 17.5 bar)

**13** Mounting & Accessories

- N = No MTG. Bracket
- B = Wall Bracket Fitted

**14** Test

- Blank = Standard unit.
- C = CE
- E = EAC
- S = SIL3
- G = CE, EAC
- H = CE, SIL3
- J = EAC, SIL3
- K = CE, EAC, SIL3
- O = Other customer reqmt. if any



# COMPRESSED AIR FILTER

PF20G (G<sup>1/4</sup>, G<sup>3/8</sup>, G<sup>1/2</sup>)

## FEATURES

PNEUMSYS Series Intermediate range general purpose  
Filter removes upto 99% of the liquid water.

Design of the filter element gives both surface and  
depth filtration for cleaner air.

Choice of elements, bowls drains to suit all applications.



PARAMETERS	SPECIFICATIONS	
Pipe Threads	G 1/4, 3/8, 1/2 Parallel (F)	- Standard
	BSPT. / NPT	- Optional
Filter Element Size	5, 25, 40 micron	
Element Material	Plastic (Polypropylene)	- Standard
	Sintered Bronze	- Optional
Body Material	Al. Alloy die cast	
Bowl Material	Transparent Polycarbonate with bowl guard	- Standard
	Al. Alloy Metal with sight glass	- Optional
Maximum inlet Pressure	with PC Bowl(Manual/ Auto/Semi-auto) : 150 psig (10.5 bar) with Metal Bowl (Manual drain) : 250 psig (17.5 bar) with Metal Bowl (Auto / Semi-auto) : 150 psig (10.5 bar)	
Maximum Operating Temperature (ambient)	with PC Bowl	: 50° C (125° F)
	with Metal Bowl	: 80° C (175° F)
Standard Nominal Flow Rate At 6 bar (87 PSI) supply pressure and 1 bar (14.5 PSI) Pressure drop	G 1/4	: 84 scfm (40 dm <sup>3</sup> /sec) CV(1.58)
	G 3/8	: 170 scfm (81 dm <sup>3</sup> /sec) CV(3.21)
	G 1/2	: 283 scfm (135 dm <sup>3</sup> /sec) CV(5.33)
Drain	Manual	- Standard
	Automatic	- Optional
	Semi Automatic	- Optional

+ Values indicated are with 40 micron elements, with finer elements these values will be lower.

# COMPRESSED AIR FILTER

PF20G (G<sup>1/4</sup>, G<sup>3/8</sup>, G<sup>1/2</sup>)

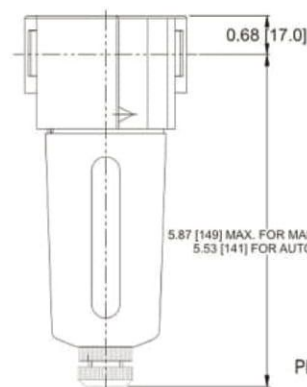
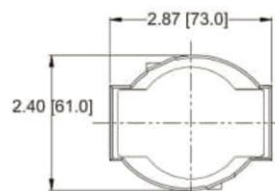
Size	Flow (dm <sup>3</sup> /s)	Element (um)	Drain	Bowl	Model
G 1/4	84 scfm (40 dm <sup>3</sup> /sec)	25	Auto	Transparent	SF20G-2G-A2PN
			Manual	Transparent	SF20G-2G-M2PN
G 3/8	170 scfm (81 dm <sup>3</sup> /sec)	25	Auto	Transparent	SF20G-3G-A2PN
			Manual	Transparent	SF20G-3G-M2PN
G 1/2	283 scfm (135 dm <sup>3</sup> /sec)	25	Auto	Transparent	SF20G-4G-A2PN
			Manual	Transparent	SF20G-4G-M2PN

## Option Selector

Sample Model Number → **P F 2 0 G - 2 A - M 2 P N** □ □

Position → **0 1 2 3 4 - 5 6 - 7 8 9 10 11 12**

- 0** Position: **P** = Pneumsys
- 1** Product: **F** = Filter
- 2 3** Series: **20** = 3/8 Basic
- 4** Type: **G** = General Purpose
- 5** Size:
  - 2** = 1/4"
  - 3** = 3/8"
  - 4** = 1/2"
- 6** Port Thread:
  - A** = NPT
  - B** = ISO Rc Taper (=BSPT)
  - G** = ISO 'Parallel' (=BSP)
- 7** Drain:
  - M** = Manual
  - A** = Automatic (only available with Nitrile elastomers)
  - S** = Semi Automatic (only available with Nitrile elastomers)
- 8** Filter Element:
  - 1** = 05 M Porous Plastic
  - 2** = 25 M Porous Plastic
  - 3** = 40 M Porous Plastic
  - 6** = 05 M Sintered Bronze
  - 7** = 25 M Sintered Bronze
  - 8** = 40 M Sintered Bronze
  - X** = No Filter element (for water separator)
- 9** Bowl:
  - P** = P. C. Bowl with Guard
  - D** = Metal Bowl with Sight Glass
  - [M]** = Metal Bowl without sight glass
- 10** Mounting & Accessories:
  - N** = No Mounting Bracket,
  - B** = Wall Mounting Bracket,
- 11** Spl.option:
  - Blank** = Standard Unit
  - [L]** = with 1" longer filter element (for SF20G only)
- 12** Elastomer:
  - Blank** = Std. unit with Nitrile elastomer
  - [E]** = EPDM
  - [V]** = Viton
  - [L]** = Low Temperature Nitrile
- 13** Test / Approval:
  - Blank** = Standard units
  - C** = CE
  - E** = EAC
  - S** = SIL3
  - G** = CE, EAC
  - H** = CE, SIL3
  - J** = EAC, SIL3
  - K** = CE, EAC, SIL3
  - O** = Other customer reqmt. if any.



PF20G (G<sup>1/4</sup>, G<sup>3/8</sup>, G<sup>1/2</sup>)

# VAPOUR REMOVAL FILTER

PF20V (G<sup>1</sup>/<sub>4</sub>, G<sup>3</sup>/<sub>8</sub>, G<sup>1</sup>/<sub>2</sub>)

## FEATURES

PNEUMSYS Series removal filters are Ultra high efficiency-compact size- low flow units.

Activated carbon pack acts as an absorbent to assist in the removal of hydro carbon gases and also absorbs any oil carry over in the event of any malfunction.

The element changes colour in the presence of oil to indicate that filter requires attention.



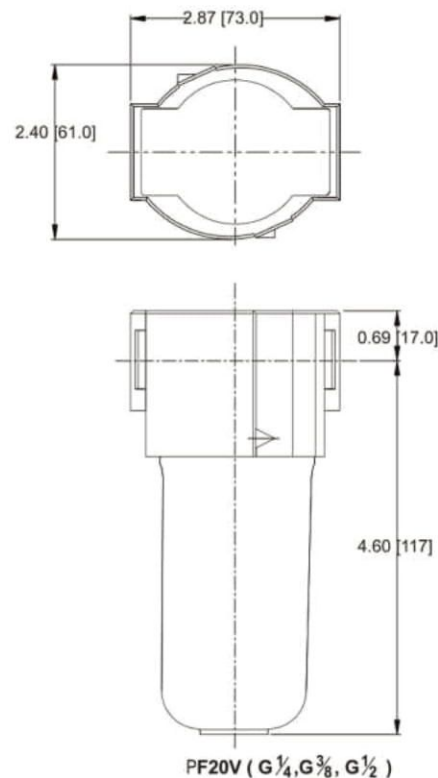
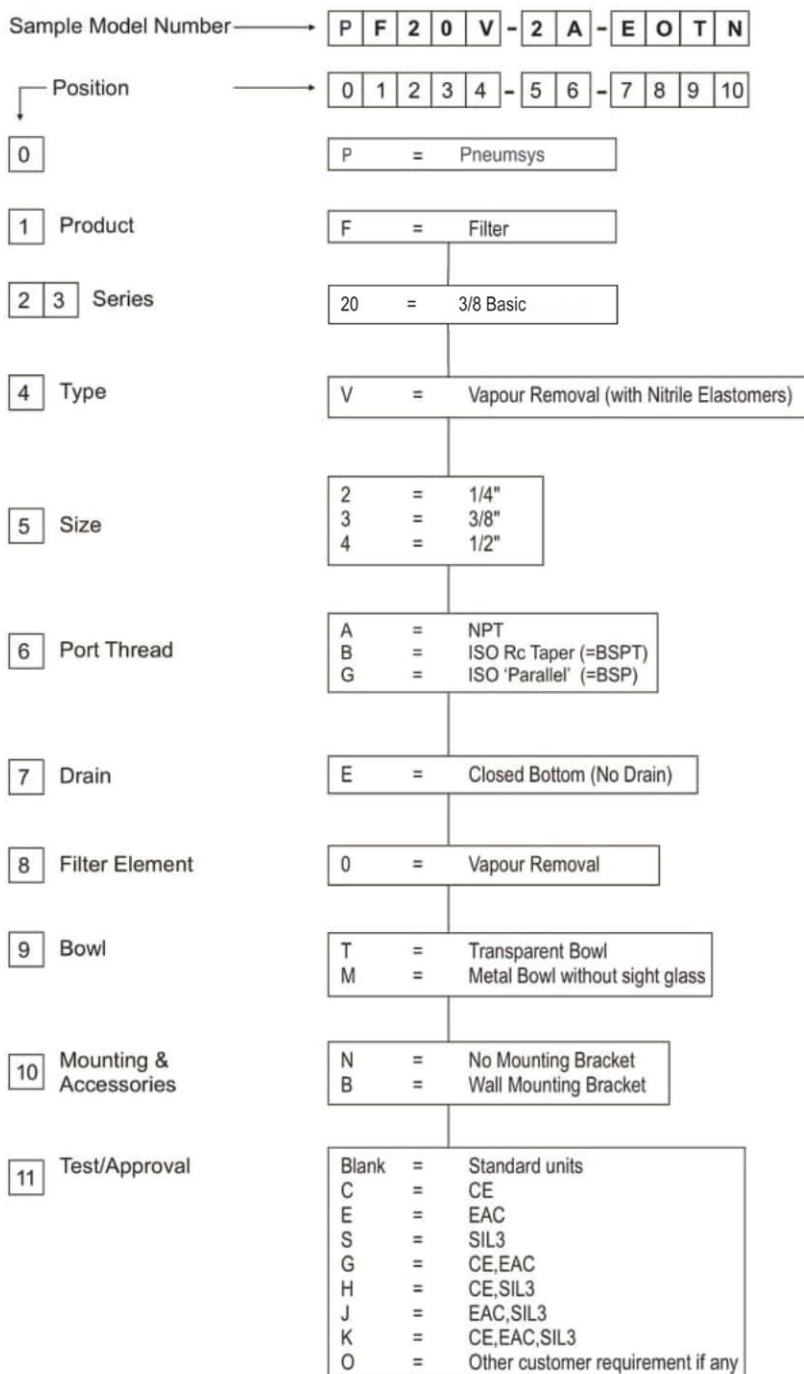
PARAMETERS	SPECIFICATIONS
Pipe Threads	G 1/4, 3/8, 1/2 - Standard BSPT, NPT - Optional
Element Material	Activated carbon
Body Material	Al. Alloy die-cast
Bowl Material	Polycarbonate - Standard Al. Alloy metal without sight glass - Optional
Max. Inlet Pressure	with P.C. Bowl - 150 psig (10.5 bar) with Metal Bowl - 250 psig (17.5 bar)
Operating Temperature Range (ambient)	with P.C. Bowl : -6°C to 50°C (20°F to 120°F) with Metal Bowl : -6°C to 80°C (20°F to 175°F)
Recommended flow at an inlet pressure of 100 psi (6.8 bar)	15 scfm (7 dm <sup>3</sup> /sec) CV(0.28)
Particle Removal	upto 0.01 micron
Maximum Oil Removal content	upto 0.003 ppm
Note : Recommended	Use Pre-Filter with 5 micron element

# VAPOUR REMOVAL FILTER

PF20V (G<sup>1</sup>/<sub>4</sub>, G<sup>3</sup>/<sub>8</sub>, G<sup>1</sup>/<sub>2</sub>)

Size	Flow (dm <sup>3</sup> /s)	Bowl	Model
G 1/4	15 scfm (7 dm <sup>3</sup> /sec)	Polycarbonate	SF20V-2G-EOTN
G 3/8	15 scfm (7 dm <sup>3</sup> /sec)	Polycarbonate	SF20V-3G-EOTN

## Option Selector



## COMPRESSED AIR LUBRICATOR

PL20M/C (G<sup>1/4</sup>, G<sup>3/8</sup>, G<sup>1/2</sup>)

### FEATURES

PNEUMSYS Series Lubricator- Oil-Fog design is used to provide a constant ratio of oil to air and provide lubrication to airtool oil cylinders and other air operated equipment.

Use micro-mist design for injecting a fine mist of lubricant into the airline en route to air driven tools and equipment suitable for systems containing complex piping and multiple points of lubrication



PARAMETERS	SPECIFICATIONS	
Pipe Threads	G 1/4, 3/8, 1/2 Parallel Taper (F) - Standard BSPT <sub>r</sub> / NPT - Optional	
Type	Micro -Mist / Oil Fog	
Body Material	Al. Alloy die-cast	
Bowl Material	Transparent Polycarbonate with bowl guard - Standard Al. Alloy Metal without sight glass - Optional	
Bowl Capacity	135 cc	
Maximum intel Pressure	with PC Bowl	: 150 psig (10.5 bar)
	with Metal Bowl	: 250 psig (17.5 bar)
Maximum Operating Temperature (ambient)	with PC Bowl	: 50° C (125°F)
	with Metal Bowl	: 80° C (175°F)
Standard Nominal Flow Rate at 6 bar (87 PSI) supply pressure and 1 bar (14.5 PSI) Pressure drop	1/4	73 scfm (35 dm <sup>3</sup> /sec) CV(1.38)
	3/8	156 scfm (74 dm <sup>3</sup> /sec) CV(2.94)
	1/2	209 scfm (100 dm <sup>3</sup> /sec) CV(3.94)
Minimum Flow reqd to start (at 87 psi inlet)	1/4	2.5 scfm (1.2 dm <sup>3</sup> /sec)
	3/8, 1/2	3.9 scfm (1.8 dm <sup>3</sup> /sec)



# COMPRESSED AIR LUBRICATOR

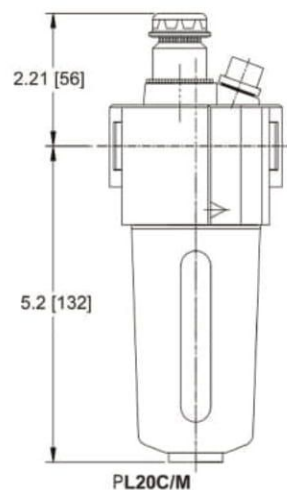
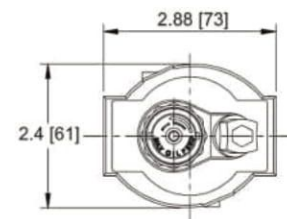
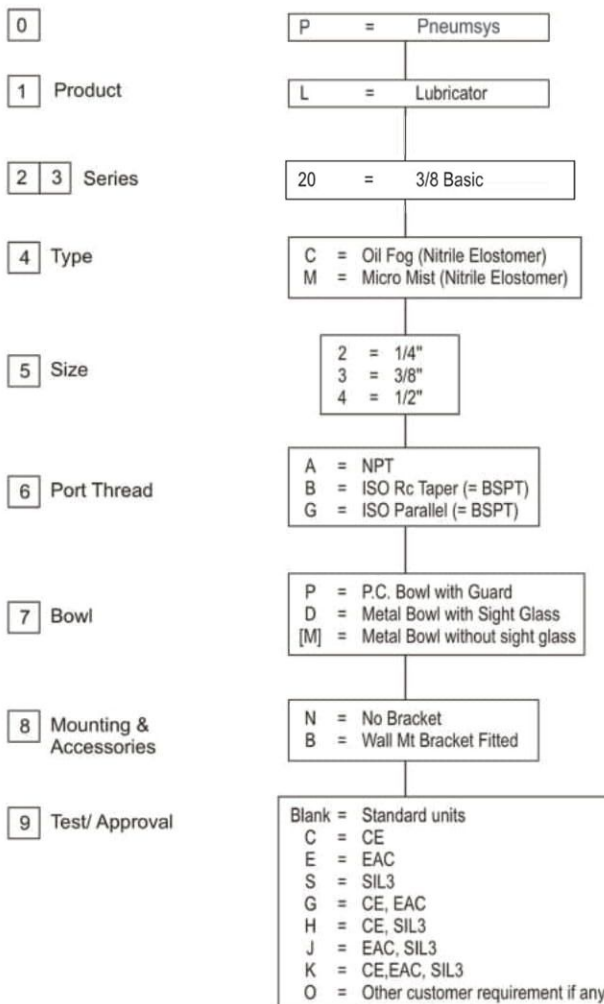
PL20M/C (G<sup>1/4</sup>, G<sup>3/8</sup>, G<sup>1/2</sup>)

Size	Flow	Start point	Bowl	Bowl Capacity	Model
G 1/4	73 scfm (35 dm <sup>3</sup> /sec)	2.5 scfm	Transparent Metal	135 cc	SL20M-2G-PN SL20M-2G-DN
G 3/8	156 scfm (74 dm <sup>3</sup> /sec)	3.9 scfm	Transparent Metal	135 cc	SL20M-3G-PN SL20M-3G-DN
G 1/2	209 scfm (100 dm <sup>3</sup> /sec)	3.9 scfm	Transparent Metal	135 cc	SL20M-4G-PN SL20M-4G-DN
G 1/4	73 scfm (35 dm <sup>3</sup> /sec)	2.5 scfm	Transparent Metal	135 cc	SL20C-2G-PN SL20C-2G-DN
G 3/8	156 scfm (74 dm <sup>3</sup> /sec)	3.9 scfm	Transparent Metal	135 cc	SL20C-3G-PN SL20C-3G-DN
G 1/2	209 scfm (100 dm <sup>3</sup> /sec)	3.9 scfm	Transparent Metal	135 cc	SL20C-4G-PN SL20C-4G-DN

### Option Selector

Sample Model Number → **P L 2 0 C - 3 A - P N**

Position → **0 1 2 3 4 - 5 6 - 7 8**



# AIR PRESSURE REGULATOR

PR20 (G<sup>1</sup>/<sub>4</sub>, G<sup>3</sup>/<sub>8</sub>, G<sup>1</sup>/<sub>2</sub>)

## FEATURES

PNEUMSYS Series Intermediate range pressure regulators diaphragm operated, respond to flow demand and line pressure changes efficiently.

Positive valve sealing, large passages and operating to give free air flow.

Large size low torque knob to adjust pressure make it designers first choice



PARAMETERS	SPECIFICATIONS	
Pipe Threads	G 1/4, 3/8, 1/2 Parallel (F)	- Standard
	BSPT <sub>r</sub> / NPT	- Optional
Type	Relieving diaphragm	- Standard
	Non-Relieving diaphragm	- Optional
Body Material	Al. Alloy die-cast	- Standard
Adjustment	Non-rising plastic knob	- Standard
	Metal "T" Handle / Hex head	- Optional
Maximum Inlet Pressure	300 psig (20 bar)	
Maximum Operating Temperature (ambient)	80° C	
Regulated secondary outlet pressure (spring range) and recommended pressure gauge ranges available in psig (bar)	Spring Range	Gauge Range
	6-60 psi (0.40 - 4.00 bar)	0-60 psi (0 - 4 bar)
	12-125 psi (0.87- 8.75 bar)	0-150 psi (0 -10 bar)
	15-150 psi (1.00 - 10.0 bar)	0-220 psi (0 -16 bar)
	3-30 psi (0.21 - 2.1 bar)	0-60 psi (0 - 4 bar)
	25-250 psi(1.70-17.5 bar)	0-300 psi (0 - 20 bar)
Gauge size	40 mm(dial size)	
Gauge port size	Rc 1/8 BSP Tr.	
Gauge connection	Back	
Standard Nominal Flow rate at 10 bar(150 PSI)	G 1/4 : 100 scfm (48 dm <sup>3</sup> /sec) CV(1.89)	
Inlet pressure 6 bar(87 PSI) set pressure	G 3/8 : 219 scfm (104 dm <sup>3</sup> /sec) CV(4.13)	
and a drop of 1 bar (14.5 PSI) from set	G 1/2 : 267 scfm (127 dm <sup>3</sup> /sec) CV(5.03)	
Mounting Bracket	Optional	
Panel Mounting	Standard - Available	

Note : Pressure gauge will not have CE, EAC & SIL3 approval.

# AIR PRESSURE REGULATOR

PR20 (G<sup>1/4</sup>, G<sup>3/8</sup>, G<sup>1/2</sup>)

Size	Flow	Range (psi)	Operation	Model
G 1/4	100 scfm (48 dm <sup>3</sup> /sec)	12-125 psi	Relieving	SR20K-2G-RNMN
G 3/8	219 scfm (104 dm <sup>3</sup> /sec)	12-125 psi	Relieving	SR20K-3G-RNMN
G 1/2	267 scfm (127 dm <sup>3</sup> /sec)	12-125 psi	Relieving	SR20K-4G-RNMN

## Option Selector

Sample Model Number → **P R 2 0 K - 2 G - R N M N**

Position → **0 1 2 3 4 - 5 6 - 7 8 9 10 11**

**0**

**P** = Pneumsys

**1** Product

**R** = Regulator

**2 3** Series

**20** = 3/8 Basic

**4** Pipe Size

- K** = Knob Type (Nitrile Elastomers)
- [E]** = Knob Type (EPDM Elastomers)
- [V]** = Knob Type (Viton Elastomers)
- [Z]** = Knob Type (Low temperature Nitrile elastomers)
- [T]** = T Handle Type (Nitrile Elastomers)
- [F]** = T Handle Type (EPDM Elastomers)
- [W]** = T Handle Type (Viton Elastomers)
- [L]** = T Handle Type (Low temperature Nitrile elastomers)
- [H]** = Hex headed type (Low temperature Nitrile elastomers)
- [Q]** = Hex headed type (EPDM elastomers)
- [U]** = Hex headed type (Viton elastomers)
- [Y]** = Hex headed type (Nitrile elastomers)

**5** Size

- 2** = 1/4"
- 3** = 3/8"
- 4** = 1/2"

**6** Port Thread

	Main Port	Gauge Port
<b>A</b>	NPT	BSPT
<b>B</b>	BSPT	BSPT
<b>G</b>	BSP	BSPT
<b>N</b>	NPT	NPT

**7** Relief

- R** = Relieving
- N** = Non-Relieving

**8** Gauge

- N** = No Pr. Gauge
- G** = With Gauge (without any certifications)

**9** Sec. Pr. Range

- F** = 6 - 60 psi (0.4 - 4 bar)
- L** = 12 - 125 psi (0.87 - 8.75 bar)
- M** = 15 - 150 psi (1.0 - 10.0 bar)
- C** = 3 - 30 psi (0.21 - 2.1 bar)
- [S]** = 25-250 psi(1.70-17.5 bar) option available with hex headed screw only

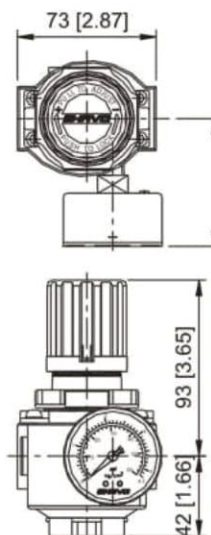
**10** Mounting & Accessories

- N** = No Mounting Bracket
- B** = Wall Mounting Bracket Fitted
- [L]** = With 'L' Type Bracket



**11** Test / Approval

- Blank** = Standard units
- C** = CE
- E** = EAC
- S** = SIL3
- G** = CE, EAC
- H** = CE, SIL3
- J** = EAC, SIL3
- K** = CE, EAC, SIL3
- O** = Other customer requirement, if any.



Note: Panel mounting nut is Std.on all SR20 units.  
Option shown in [ ] bracket are special,  
Please contact sales HQ / manufacturing.

# PNEUMSYS®

ADVANCE ENERGY SOLUTIONS



## PNEUMSYS®

ADVANCE ENERGY SOLUTIONS

### MUMBAI OFFICE

**Address:** 301 & 302, on 3rd Floor, East West Industrial Center, Andheri- Kurla Road, Andheri (E), Mumbai- 400072

**Phone:** +91 99789 75499

### PUNE OFFICE

**Address:** B-102 Pinnac Satyam Society, Behind Bata Showroom, Baner Road, Pune- 411007

**Phone:** +91 74004 09733

### BENGALURU OFFICE

**Address:** 1108/L, 1st Flr, 9th 'C' main, Behind Hampinagar Bust Stand, R.P.C Layout, Vijay Nagar Bengaluru

**Phone:** +91 96633 79939

### COIMATORE OFFICE

**Address:** Old No. 8A, Parameswaran Pillai Layout, Papanaiickenpalayam, Coimbatore, Tamil Nadu- 641037

**Phone:** +91 97860 67047

### DELHI OFFICE

**Address:** Shop No. 222, Vardhanman Bahnhof Plaza, Pocket 8, Sector- 12, Dwarka, New Delhi- 110078

**Phone:** +91 98996 60607

### KOLKATA OFFICE

**Address:** Dream Apartment, Flat No. C4, 4th Floor, Rajarhut Main Road, Opp Salua, Kolkata, West Bengal- 700136

**Phone:** +91 94204 90470